

TUTTAPIASTRA ELETTRICO E900 XP
ELECTRIC HOB E900 XP

PNC	MODEL	Brand	Ref	Notes
391046	E9HOED2000	ELX	A	ELECTRIC HOB COOKING TOP 400 MM
391047	E9HOEH4000	ELX	B	ELECTRIC HOB COOKING TOP 800 MM
392046	Z9HOED2000	ZAN	C	ELECTRIC HOB COOKING TOP 400 MM
392047	Z9HOEH4000	ZAN	D	ELECTRIC HOB COOKING TOP 800 MM
393046	O9HOED2000	OEM	E	ELECTRIC HOB COOKING TOP 400 MM
393047	A9HOEH4000	OEM	F	ELECTRIC HOB COOKING TOP 800 MM

Index

General components / Componenti
Spare parts list / Lista ricambi

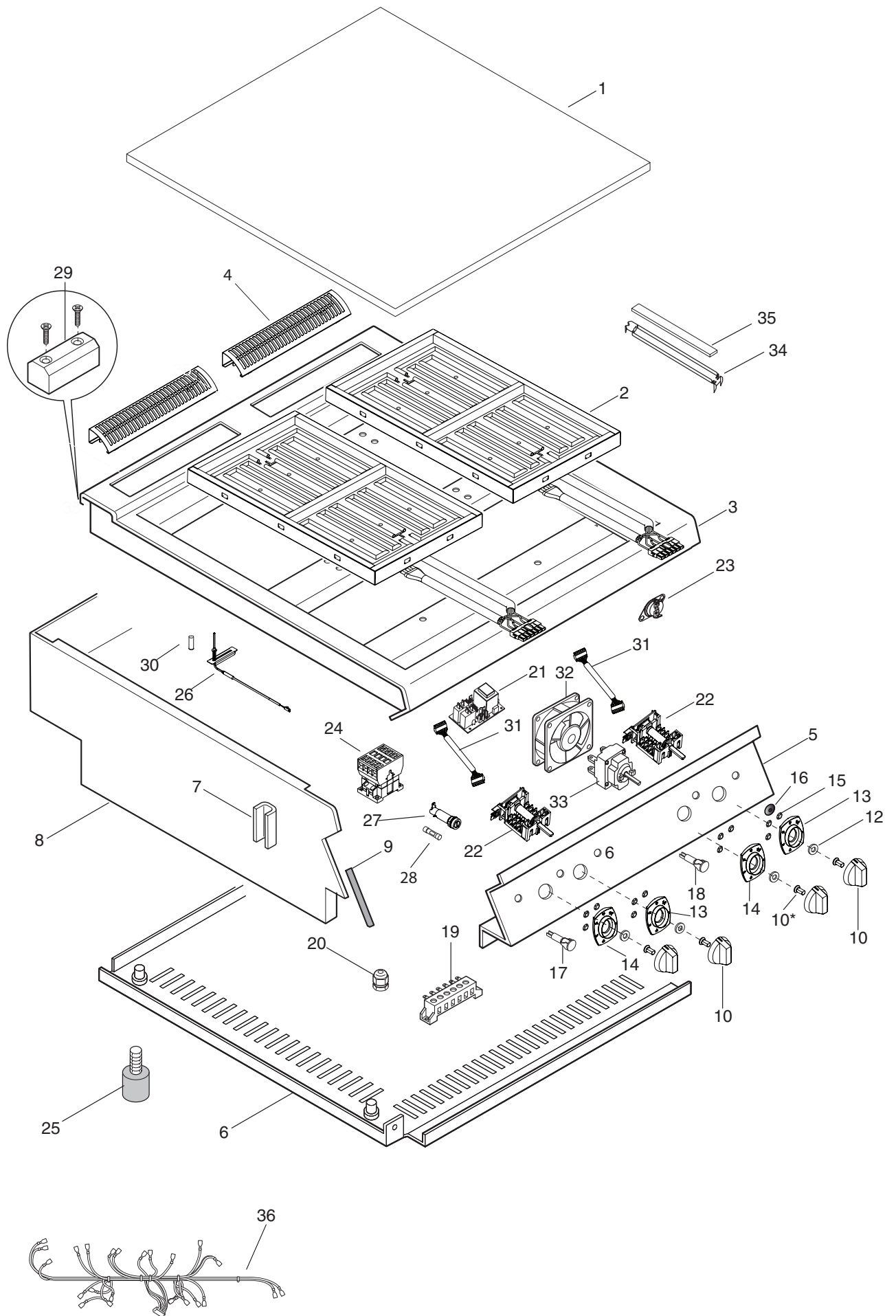
Page

2
3

Bold=last change / Grassetto =ultima modifica

Rev. 5

From Ser. Nr.... Up to Ser. Nr....	Ed. 2015-02 Updated 2021/01	Page: 1	Doc No:59785GR00
---------------------------------------	--------------------------------	---------	-------------------------



Actual wire harness may be different from illustration.
 Il cablaggio elettrico puo' essere diverso dall'illustrazione

TUTTAPIASTRA ELETTRICO E900 XP
ELECTRIC HOB E900 XP

Pos	Factory Code	Spare part Code	Descrizione	Description	Ref./Notes
1	0831815501	0C2131	PIASTRA	TOP	A,C,E
1	083089LP00	*	PIASTRA	TOP	B,D,F
2	0617830400	0C2128	RESISTENZA ELETTRICA	HEATING ELEMENT	A,C,E
2	0617839100	0C8545	RESISTENZA ELETTRICA	HEATING ELEMENT	B,D,F
3	087089D201	0C7903	RIPIANO 400 MM	TOP 400 MM	A
3	087089H401	0C7864	RIPIANO 400 MM	TOP 400 MM	C,E
3	087089RD00	*	RIPIANO 800 MM	TOP 800 MM	B
3	087089RF00	*	RIPIANO 800 MM	TOP 800 MM	D,F
4	050389LP00	0C7333	GRIGLIA CAMINO	GRATE, CHIMNEY	B,D,F
5	085089JV02	0CB226	CRUSCOTTO TOP 400 MM	CONTROL PANEL TOP 400 MM	A
5	085589A402	0C7308	CRUSCOTTO TOP 800 MM	CONTROL PANEL TOP 800 MM	B
5	085089JW01	*	CRUSCOTTO TOP 400 MM	CONTROL PANEL TOP 400 MM	C
5	085089FX01	0C7648	CRUSCOTTO TOP 800 MM	CONTROL PANEL TOP 800 MM	D
5	080083AG00	*	CRUSCOTTO TOP 400 MM	CONTROL PANEL TOP 400 MM	E
5	0800838500	*	CRUSCOTTO TOP 800 MM	CONTROL PANEL TOP 800 MM	F
6	0529865509	*	FONDO PIANO 400	BOTTOM TOP 400 MM	A,C,E
6	050089AV00	*	FONDO PIANO 800	BOTTOM TOP 800 MM	B,D,F
7	0527850500	0C0156	PIASTRA FISSAGGIO FIANCHI	SIDE PANELS JOINTING PLATE	
8	085089DR03	0CA013	FASCIA LATERALE 400 MM	EXTERNAL PANEL 400 MM	A
8	085089DS03	0C9625	FASCIA LATERALE 800 MM	EXTERNAL PANEL 800 MM	B
8	085089DU03	*	FASCIA LATERALE 400 MM	EXTERNAL PANEL 400 MM	C,E
8	085089DV03	0C9937	FASCIA LATERALE 800 MM	EXTERNAL PANEL 800 MM	D,F
9	0543821900	0C2496	GUARNIZIONE CRUSCOTTO	GASKET CONTROL PANEL	
10	0511850G01	0C6670	MANOPOLA	KNOB	A,B
10	0548878202	0C7232	MANOPOLA	KNOB	C,D
10	0548865500	0A5621	MANOPOLA	KNOB	E ,F
10*	0548877V00	0C7345	ADATTATORE MANOPOLA	KNOB ADAPTER	A,B
12	0543821000	053816	GUARNIZIONE MANOPOLA	GASKET, KNOB	C,D,E,F
13	0548877T00	0C7344	GHIERA REGOLATORE ANT ENERGIA	KNOB RING, ENERGY FRONT REGULATOR	A
13	0548877C00	0C7176	GHIERA REGOLATORE ANT ENERGIA	KNOB RING, ENERGY FRONT REGULATOR	B
13	0548879S00	0C7245	GHIERA REGOLATORE ANT ENERGIA	KNOB RING, ENERGY FRONT REGULATOR	C,E
13	0548879K00	0C7639	GHIERA REGOLATORE ANT ENERGIA	KNOB RING, ENERGY FRONT REGULATOR	D,F
14	0548877U00	0C7527	GHIERA REGOLATORE POST ENERGIA	KNOB RING, ENERGY BACK REGULATOR	A
14	0548877D00	0C7177	GHIERA REGOLATORE POST ENERGIA	KNOB RING, ENERGY BACK REGULATOR	B
14	0548879T00	0C7246	GHIERA REGOLATORE POST ENERGIA	KNOB RING, ENERGY BACK REGULATOR	C,E
14	0548879L00	0C7640	GHIERA REGOLATORE POST ENERGIA	KNOB RING, ENERGY BACK REGULATOR	D,F
15	0218912211	069567	PIASTRINA PER GHIERA	PLATE FOR KNOB RING	
16	0541813800	0C6171	RONDELLA SILICONE	SILICONE WASHER	
17	0876800002	005010	LAMPADA SPIA VERDE	GREEN LAMP	
18	0876800102	005011	LAMPADA SPIA ARANCIONE	ORANGE LAMP	
19	0639808700	0F0035	MORSETTIERA	MAIN TERMINAL BOARD	A,C,E
19	0A05714000	058613	MORSETTIERA	MAIN TERMINAL BOARD	B,D,F
20	0544802300	0C0068	PRESSACAVO	TIGHTENER, CORD	
21	0673800104	0C9948	SCHEDA ELETTRONICA	ELECTRONIC BOARD	B,D,F
22	0641805900	0C9939	REGOLATORE ENERGIA	ENERGY REGULATOR	B,D,F
23	0646817R00	0CB867	CLIXON	CLIXON	B,D,F
24	0648807900	0C7622	CONTATTORE	CONTACTOR	B,D,F

TUTTAPIASTRA ELETTRICO E900 XP
ELECTRIC HOB E900 XP

Pos	Factory Code	Spare part Code	Descrizione	Description	Ref./Notes
25	0315252601	026806	PIEDINO	FOOT	
26	83089HJ00	0C8735	TERMOCOPPIA K 600MM	SENSOR K 600MM	B,D,F
26	0831857800	0C7421	TERMOCOPPIA K 1500MM	SENSOR K 1500MM	B,D,F
27		0CB129	PORTA FUSIBILE	FUSE HOLDER	
28	0652806100	0C4996	FUSIBILE	FUSE	B,D,F
29	0516860702	0C0137	PIASTRINA UNIONE	CONNECTION PLATE	
30	0569807M00	0C8674	TUBETTO CERAMICA	CERAMIC TUBE	B,D,F
31	*	0C9773	CAVETTO SCHEDA SELETTORE	CABLE SPARTA TO SELECTOR	Only cable art31
*	633847600	0CA561	ASSIEME CAVI COMPLETO	WIRING HARNESS COMPLETE	B,D,F
32	0624808200	0C2378	VENTILATORE EBMPAPST 4656N	FAN	A,C,E
33	0646816700	0C4278	TERMOSTATO DI LAVORO	WORKING THERMOSTAT	A,C,E
34	0528877500	0C4333	SUPPORTO BULBO	BULB SUPPORT	A,C,E
35	0569806400	0C4334	ISOLAMENTO BULBO	BULB INSULATION	A,C,E
36	0633836100	0C4335	ASSIEME CABLAGGIO ELETTRICO	WIRING HARNESS	A,C,E